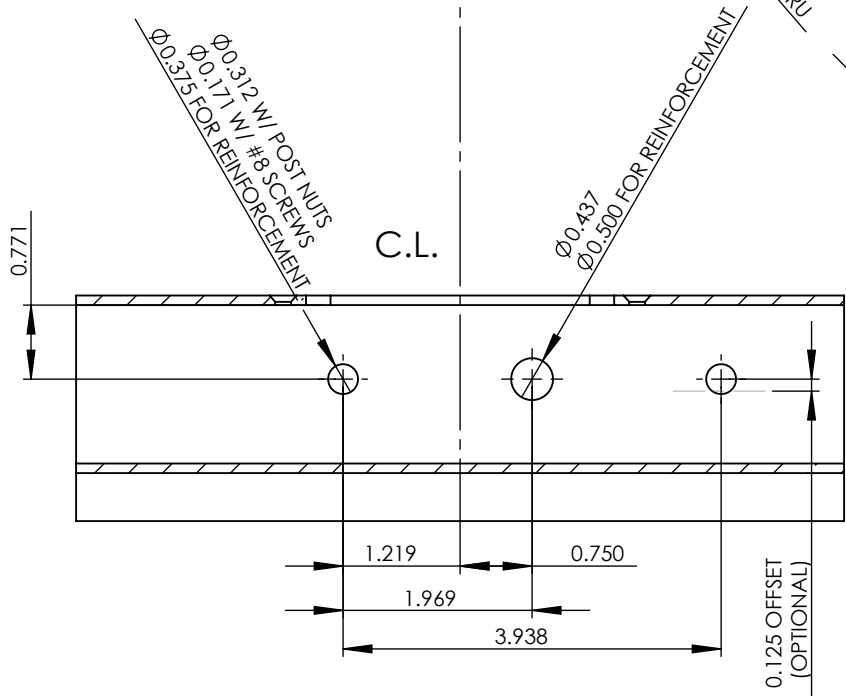
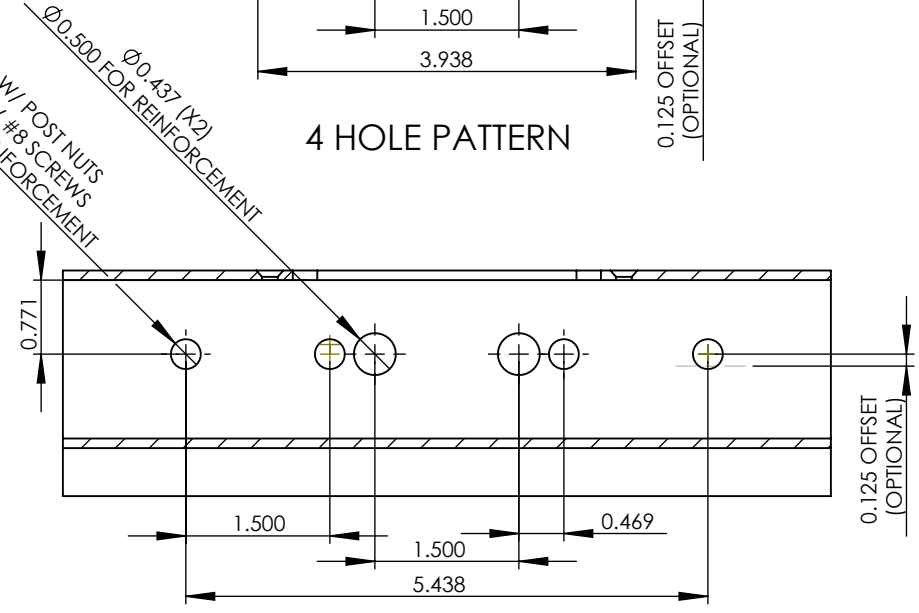


4 HOLE PATTERN

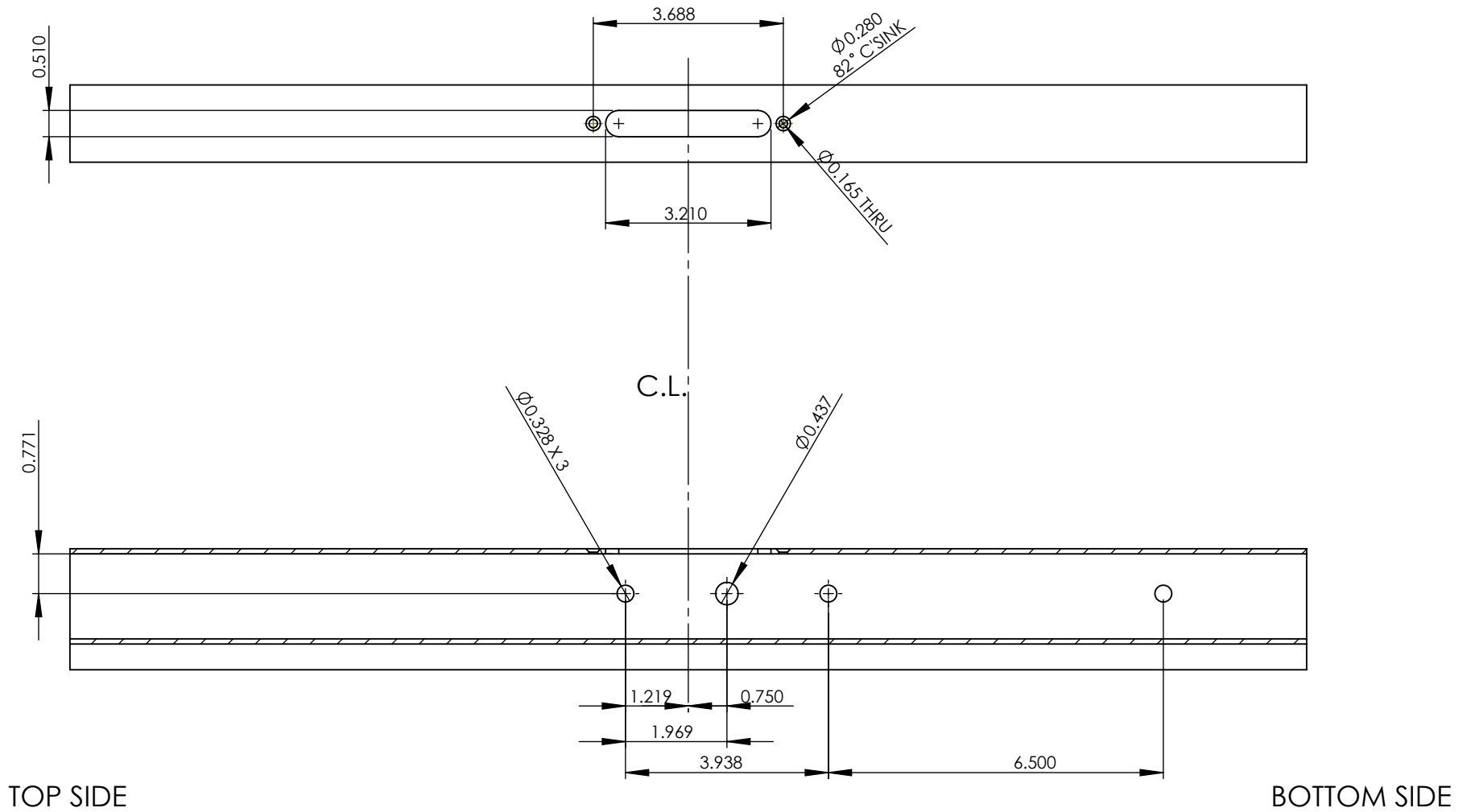


3 HOLE PATTERN  
NOTE: DOOR BECOMES HANDED FOR SINGLE POINT LATCHES.



6 HOLE PATTERN

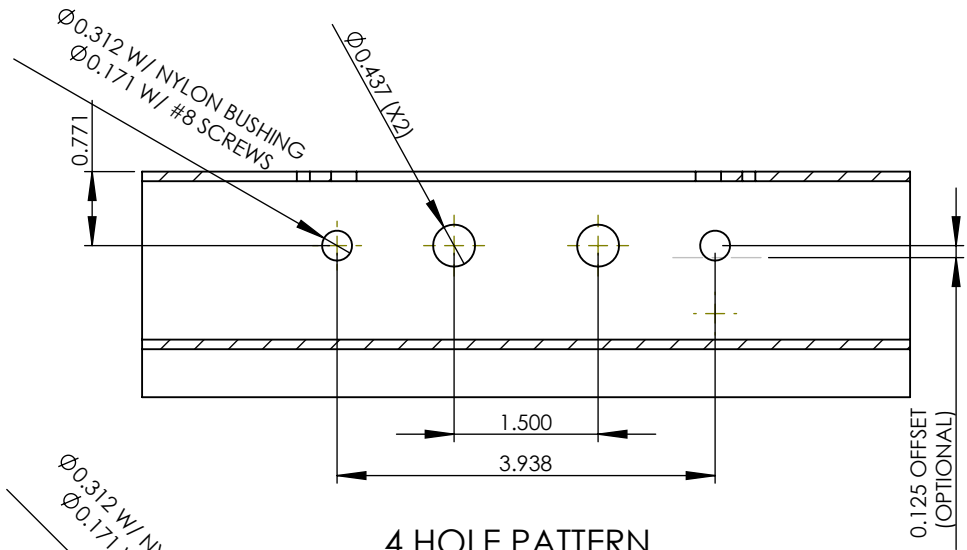
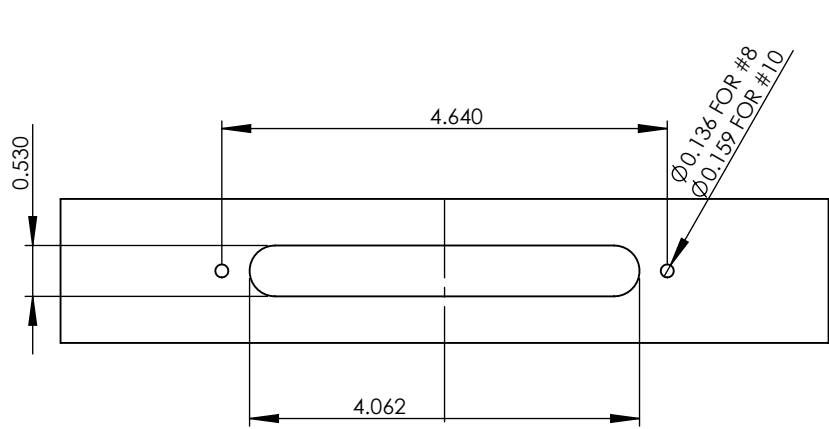
ROTO FASCO CANADA INC.  
SINGLE POINT LATCH ASS'Y  
MACHINING FOR HOLLOW CORE  
DOORS **WITHOUT TRIMPLATE**



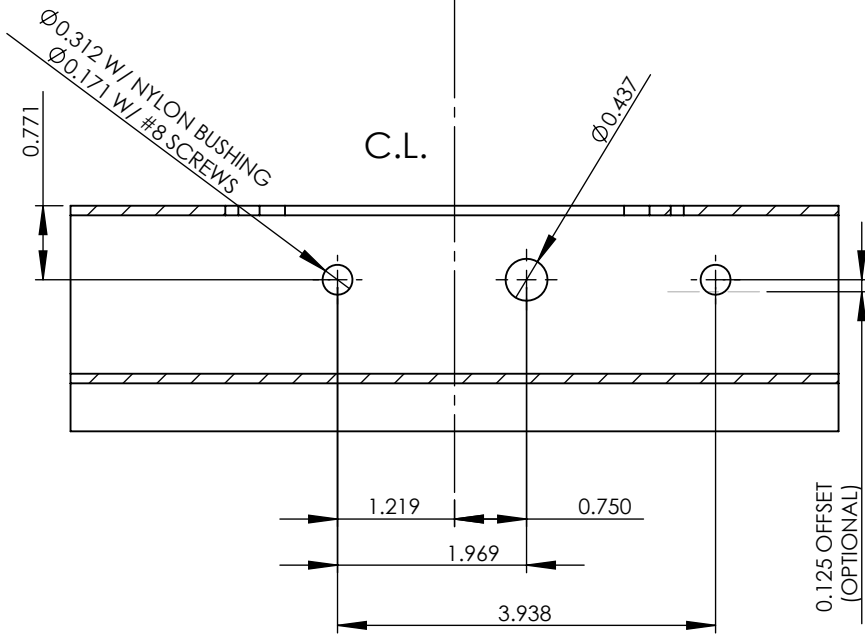
NOTE: EXTERIOR SIDE SHOWN

ROTO FASCO CANADA INC.

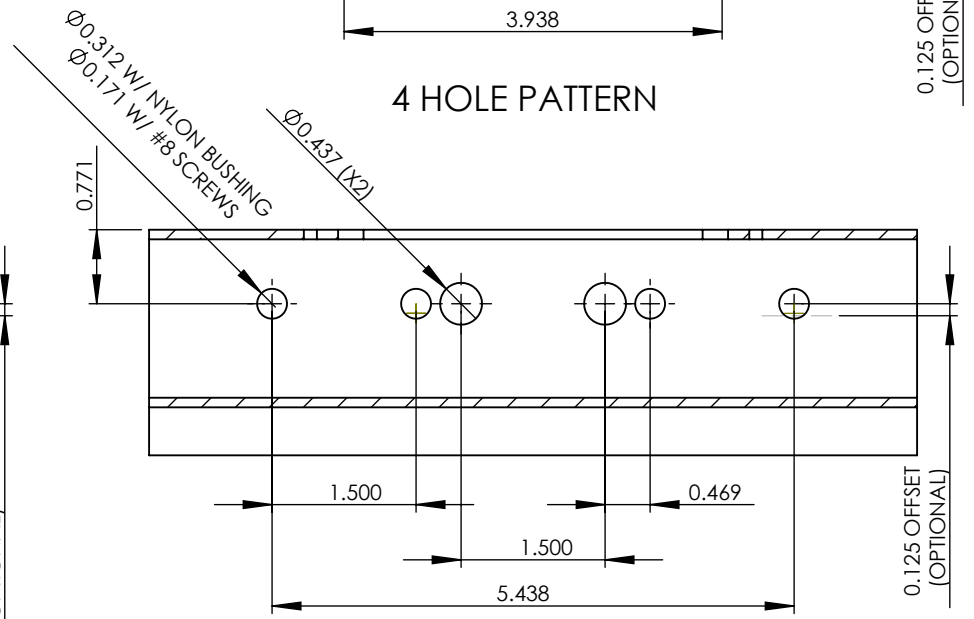
SINGLE POINT LATCH ASS'Y  
 MACHINING FOR HOLLOW CORE  
 DOORS **WITHOUT TRIMPLATE**  
**FOR 9100 SERIES HANDLE**



4 HOLE PATTERN



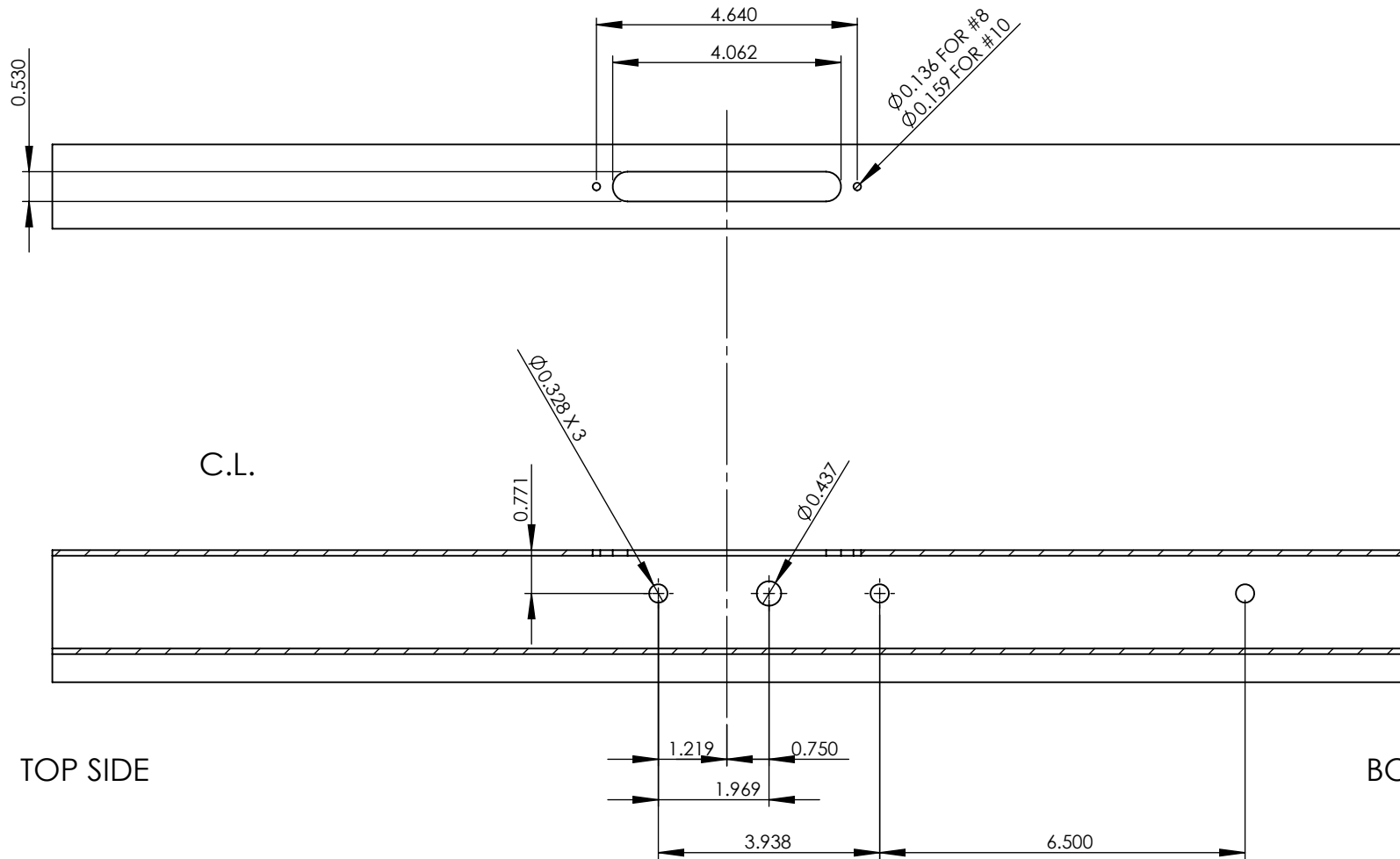
3 HOLE PATTERN  
NOTE: DOOR BECOMES HANDED  
FOR SINGLE POINT LATCHES.



6 HOLE PATTERN

ROTO FASCO CANADA INC.

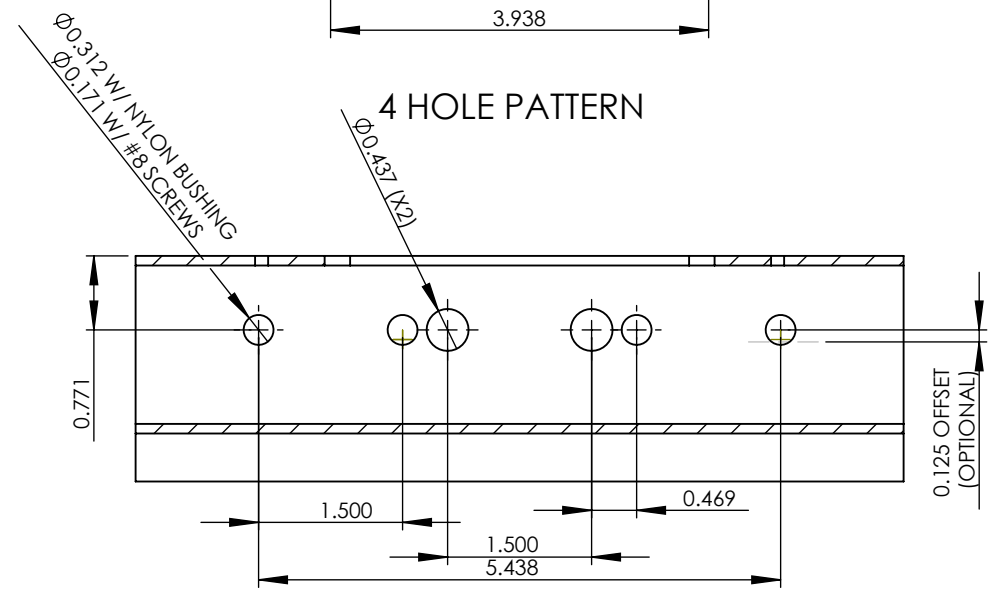
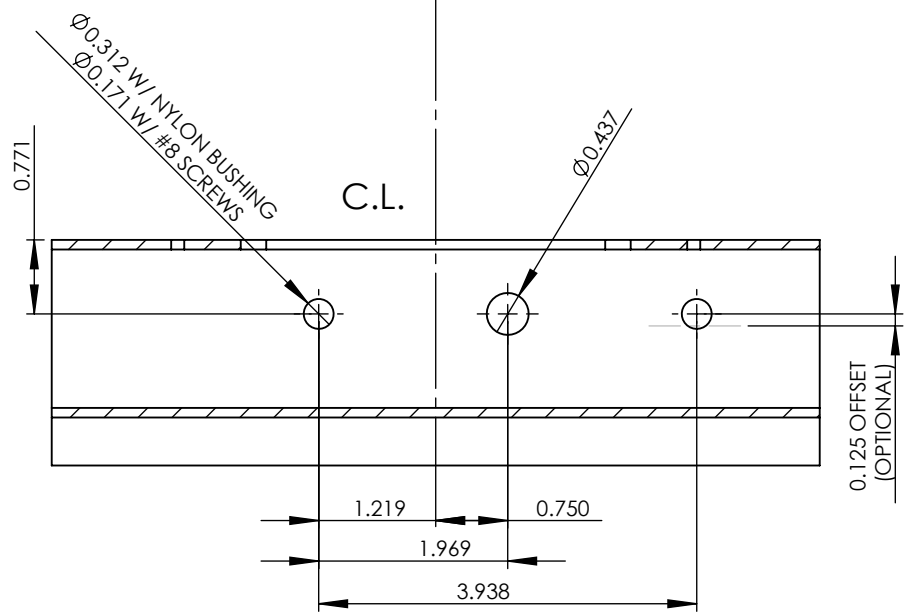
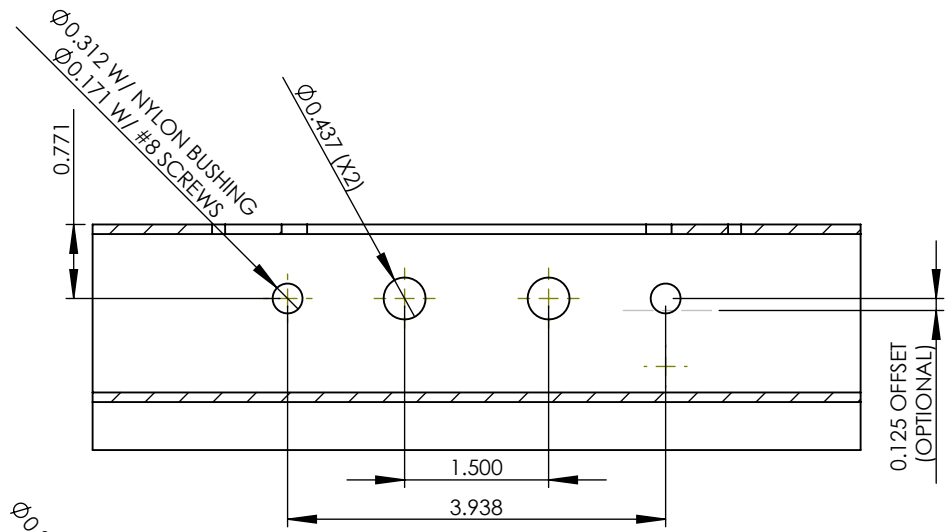
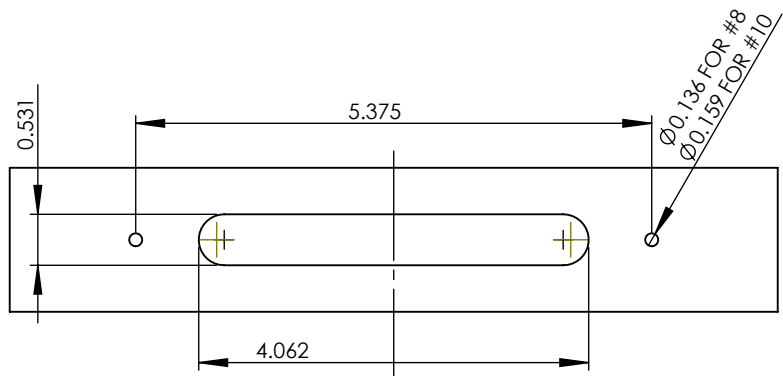
SINGLE POINT LATCH ASS'Y  
MACHINING FOR HOLLOW CORE  
DOORS WITH **FLAT TRIMPLATE**  
**M0030XX**



NOTE: EXTERIOR SIDE SHOWN

ROTO FASCO CANADA INC.

SINGLE POINT LATCH ASS'Y  
MACHINING FOR HOLLOW CORE  
DOORS WITH **FLAT TRIMPLATE**  
**M0030XX FOR 9100 SERIES HANDLES**



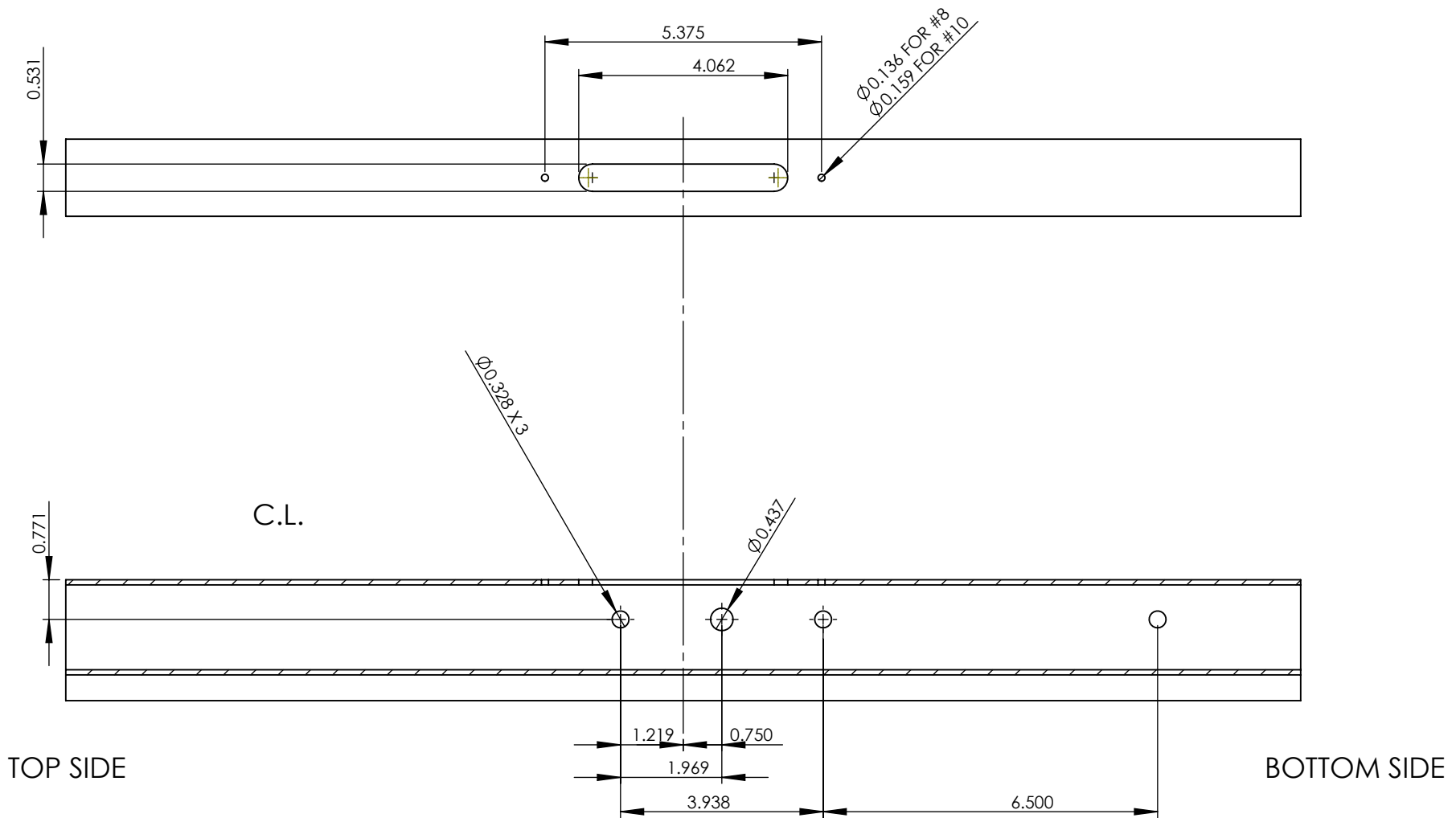
3 HOLE PATTERN  
 NOTE: DOOR BECOMES HANDED  
 FOR SINGLE POINT LATCHES.

4 HOLE PATTERN

6 HOLE PATTERN

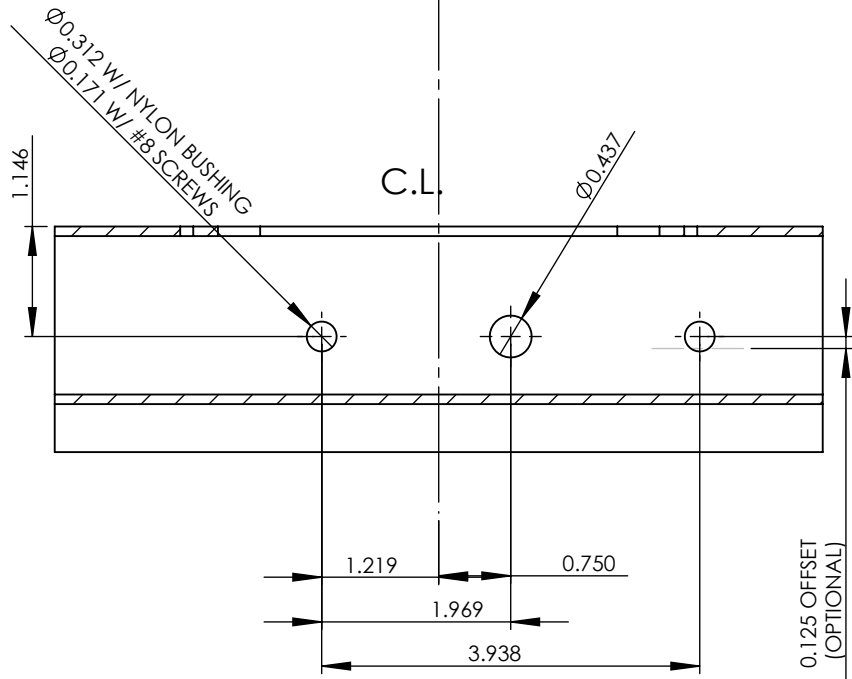
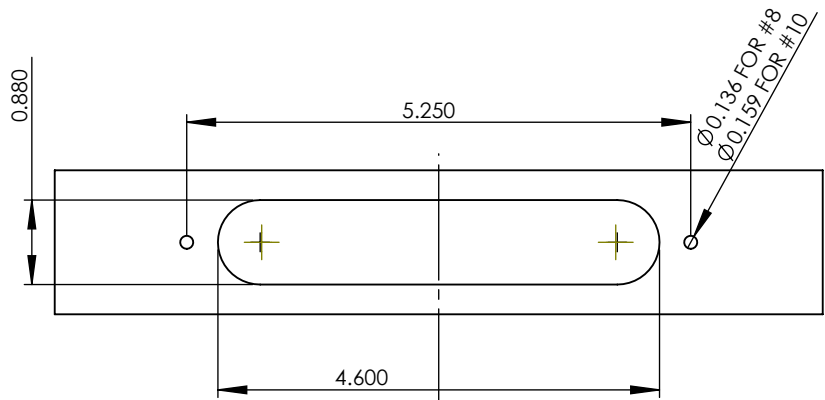
ROTO FASCO CANADA INC.

SINGLE POINT LATCH ASS'Y  
 MACHINING FOR HOLLOW CORE  
 DOORS WITH **FLAT TRIMPLATE**  
**M0031XX**

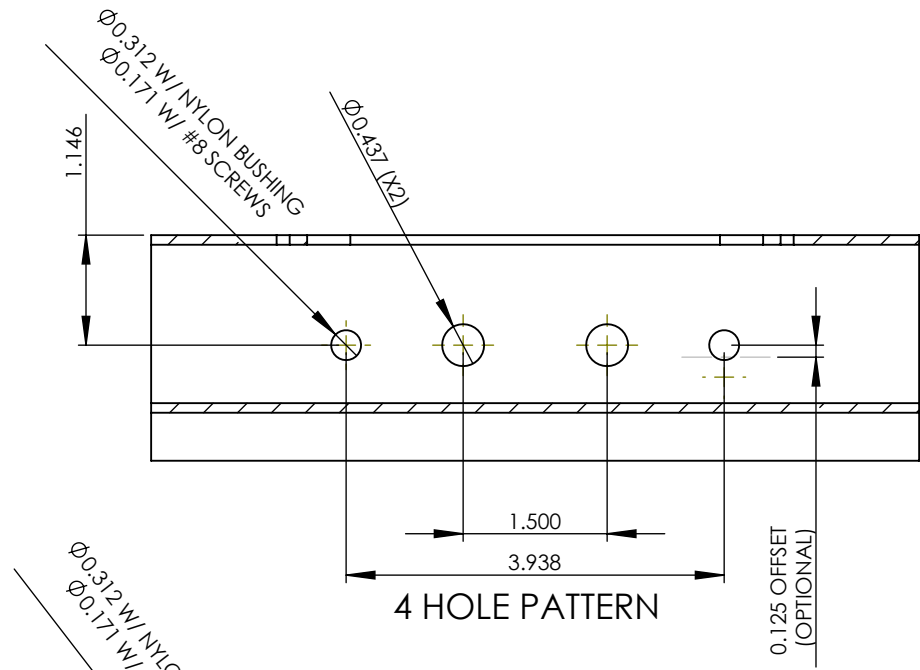


ROTO FASCO CANADA INC.

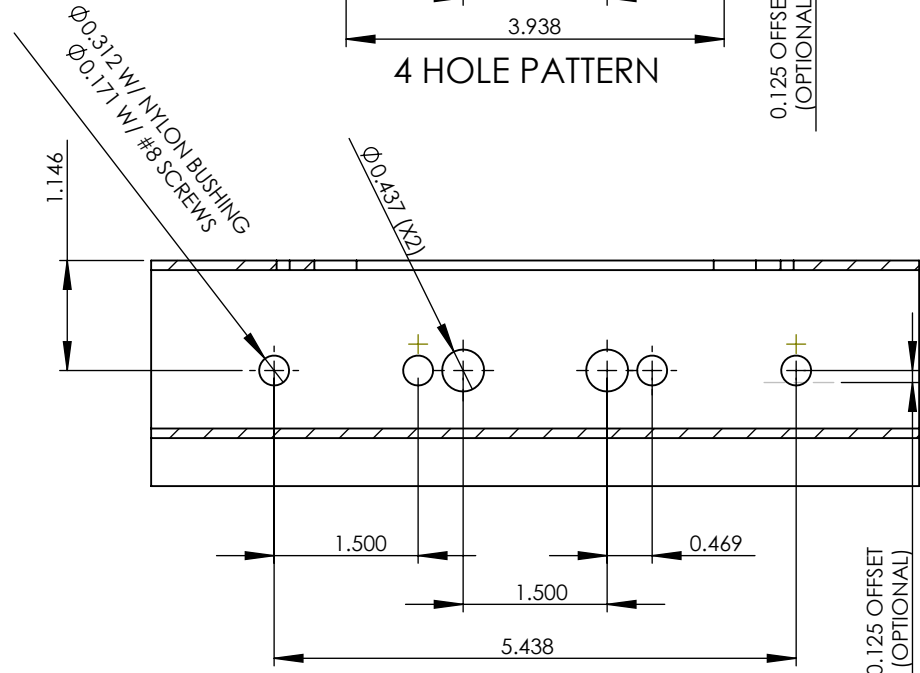
SINGLE POINT LATCH ASS'Y  
MACHINING FOR HOLLOW CORE  
DOORS WITH **FLAT TRIMPLATE**  
**M0031XX FOR 9100 SERIES HANDLES**



3 HOLE PATTERN  
NOTE: DOOR BECOMES HANDED  
FOR SINGLE POINT LATCHES.



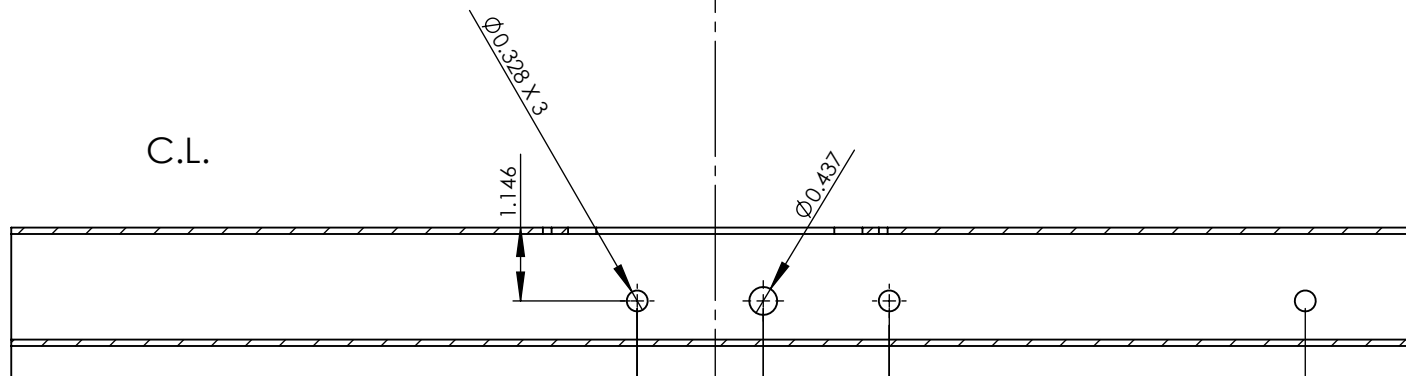
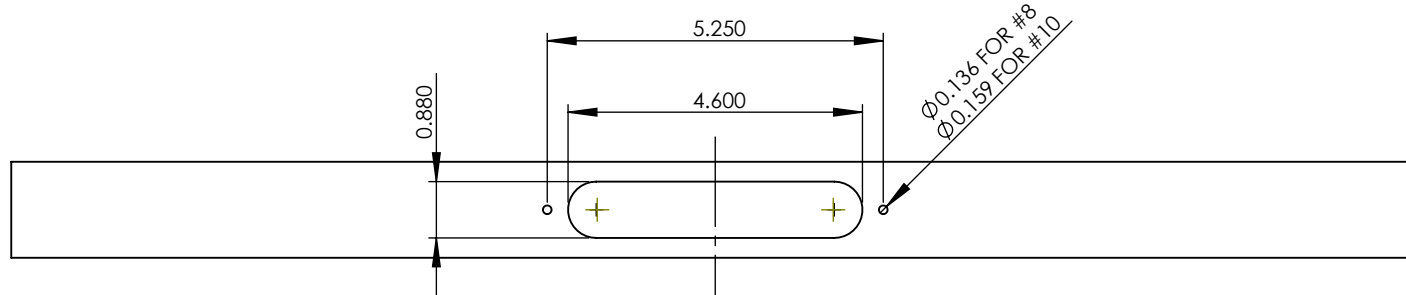
4 HOLE PATTERN



6 HOLE PATTERN

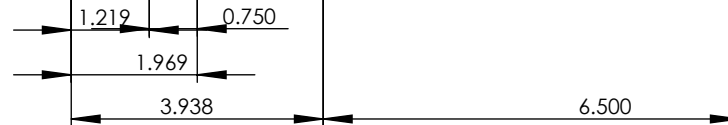
ROTO FASCO CANADA INC.

SINGLE POINT LATCH ASS'Y  
MACHINING FOR HOLLOW CORE  
DOORS WITH **CUP TRIMPLATE**  
**M0018XX**



TOP SIDE

BOTTOM SIDE

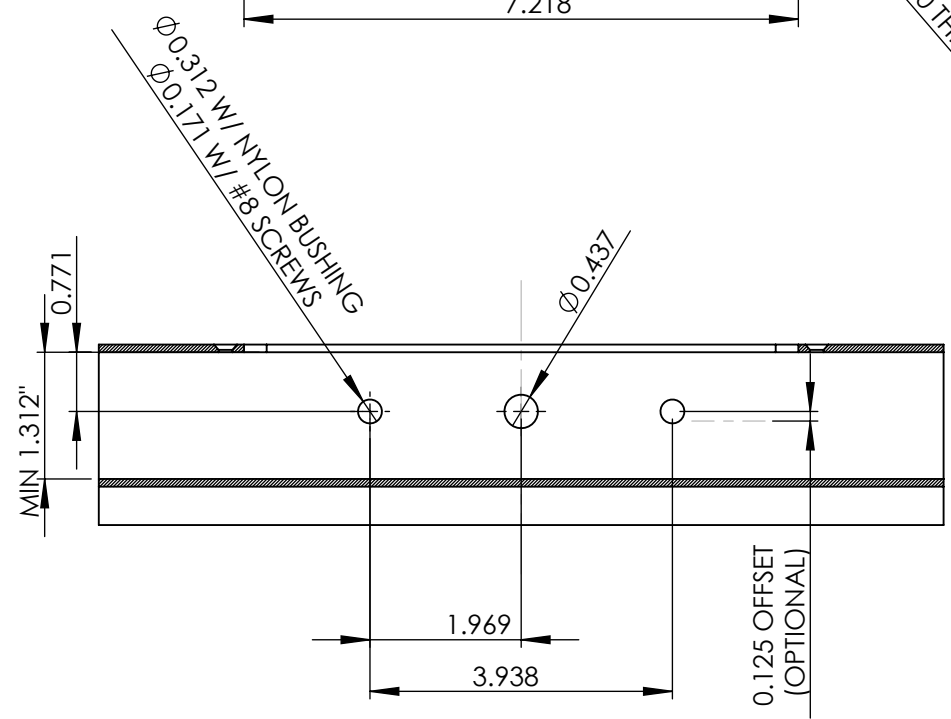
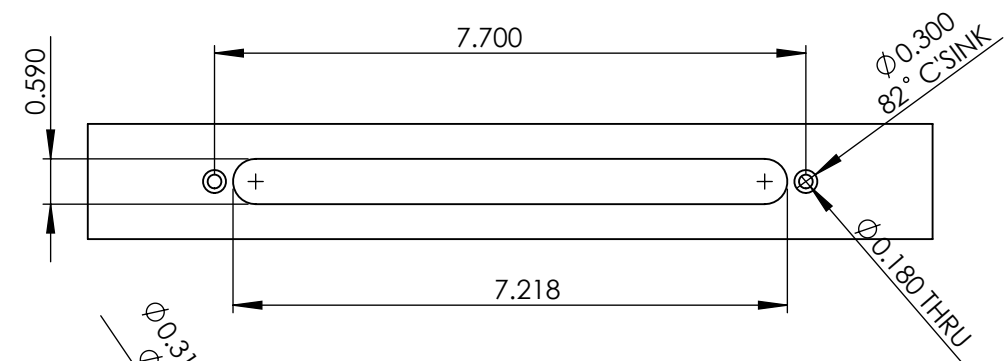


NOTE: EXTERIOR SIDE SHOWN

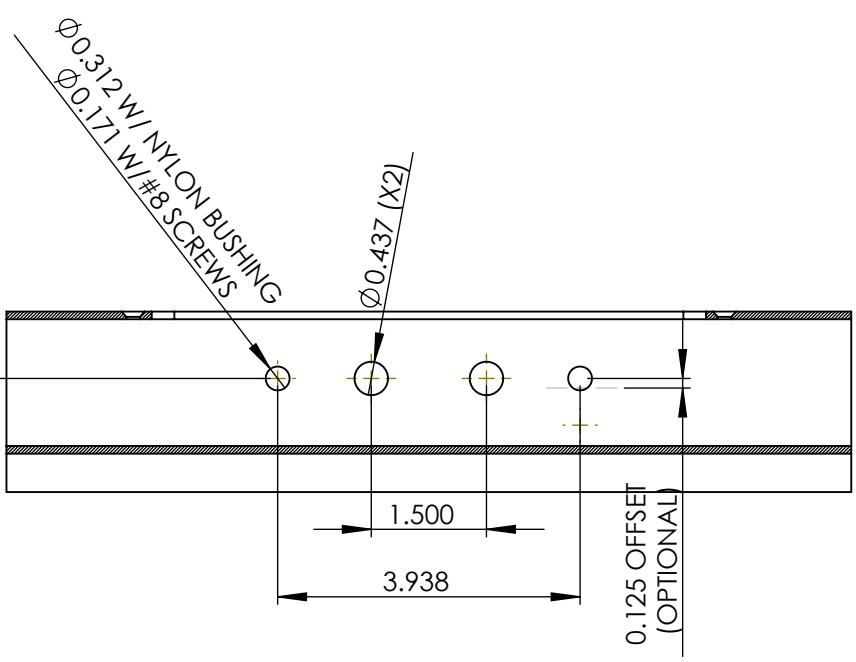
ROTO FASCO CANADA INC.

SINGLE POINT LATCH ASS'Y  
 MACHINING FOR HOLLOW CORE  
 DOORS WITH **CUP TRIMPLATE**  
**M0018XX FOR 9100 SERIES HANDLES**



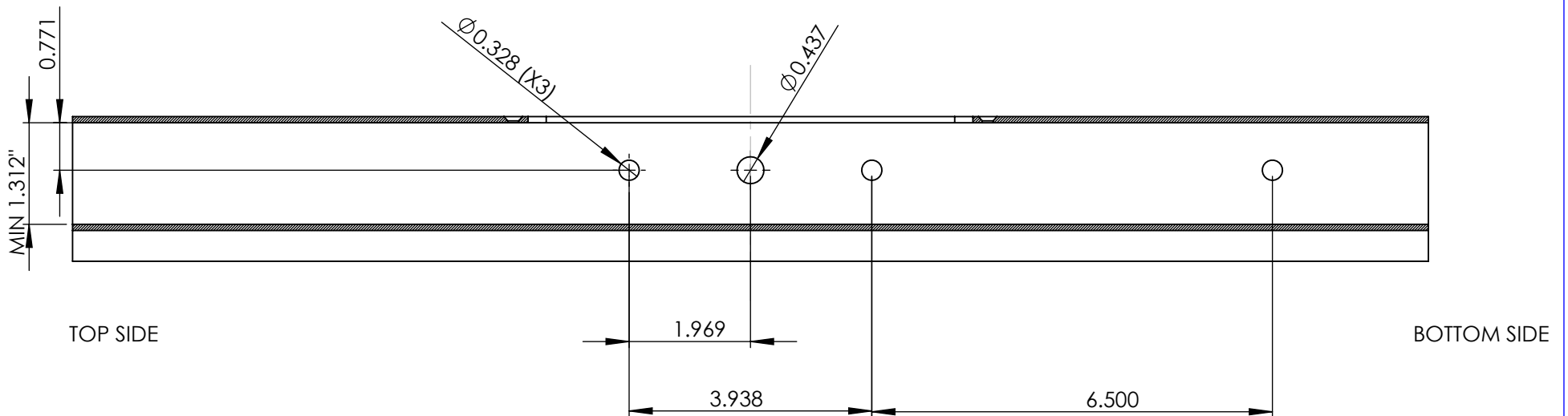
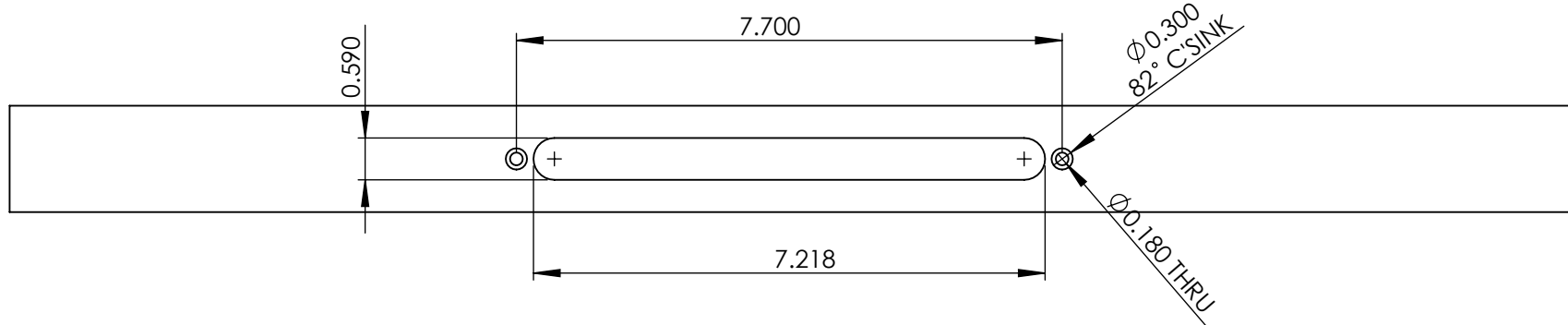


3 HOLE PATTERN



4 HOLE PATTERN

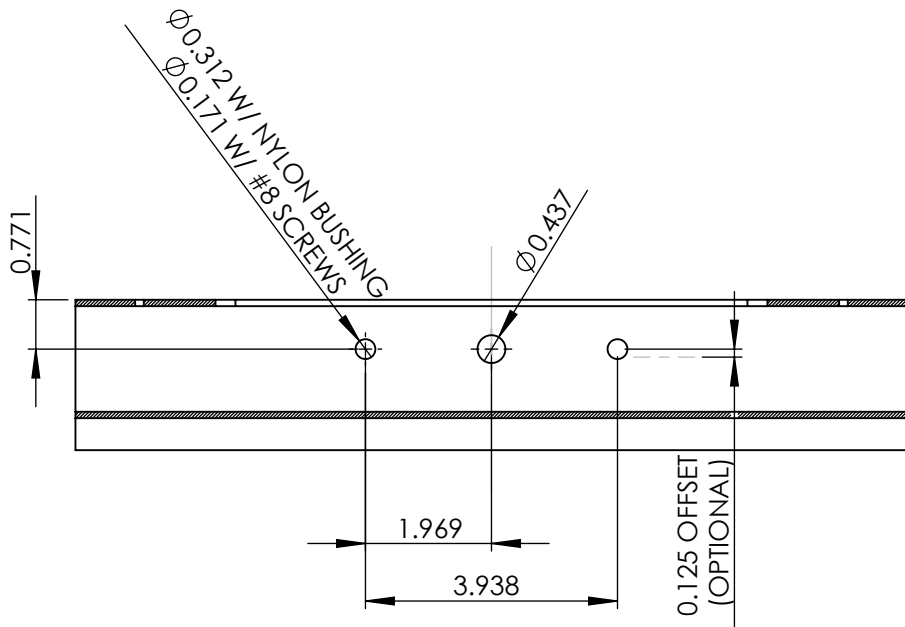
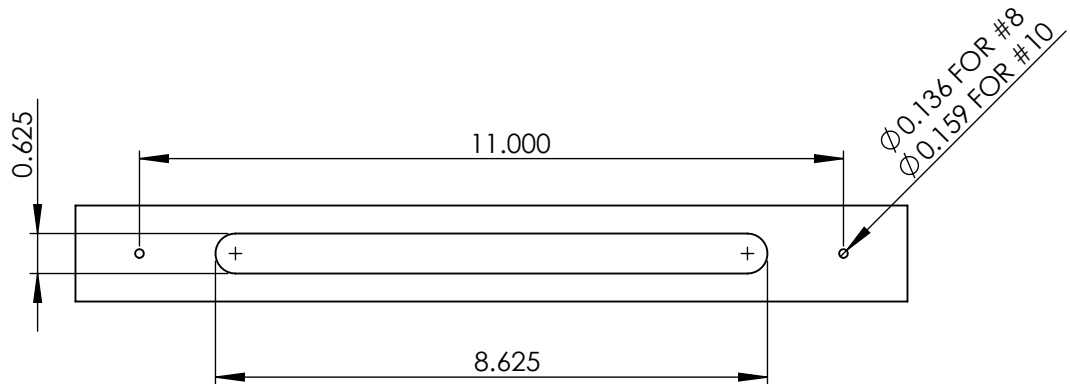
ROTO FASCO CANADA INC.  
 MULTI POINT LATCH ASS'Y  
 MACHINING FOR HOLLOW CORE  
 DOORS WITH **TUCK STYLE**  
**TRIMPLATE CD-809**



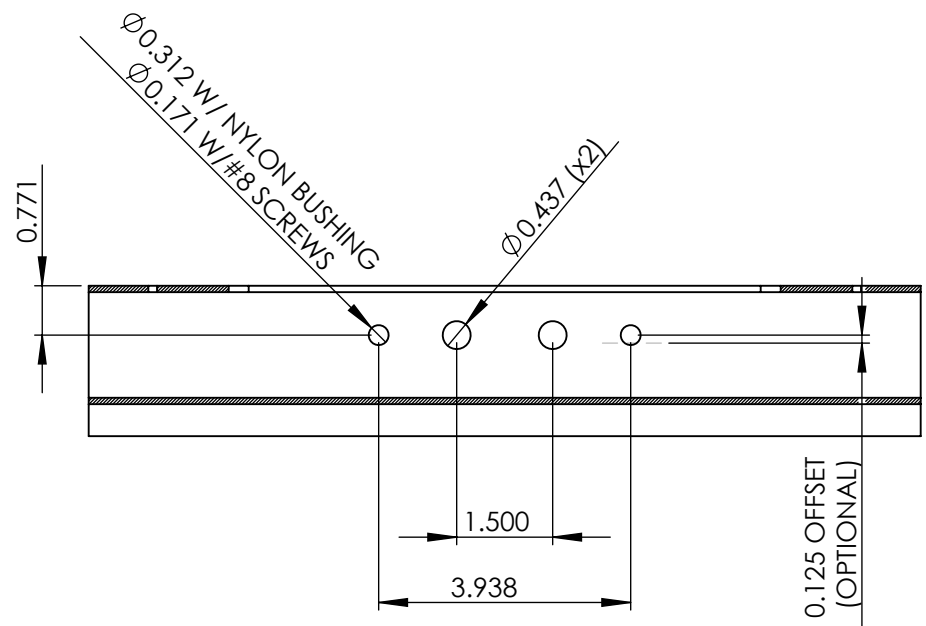
3 HOLE PATTERN

ROTO FASCO CANADA INC.

MULTI POINT LATCH ASS'Y  
 MACHINING FOR HOLLOW CORE  
 DOORS WITH **TUCK STYLE**  
**TRIMPLATE CD-809 FOR 9100**  
**SERIES HANDLE**



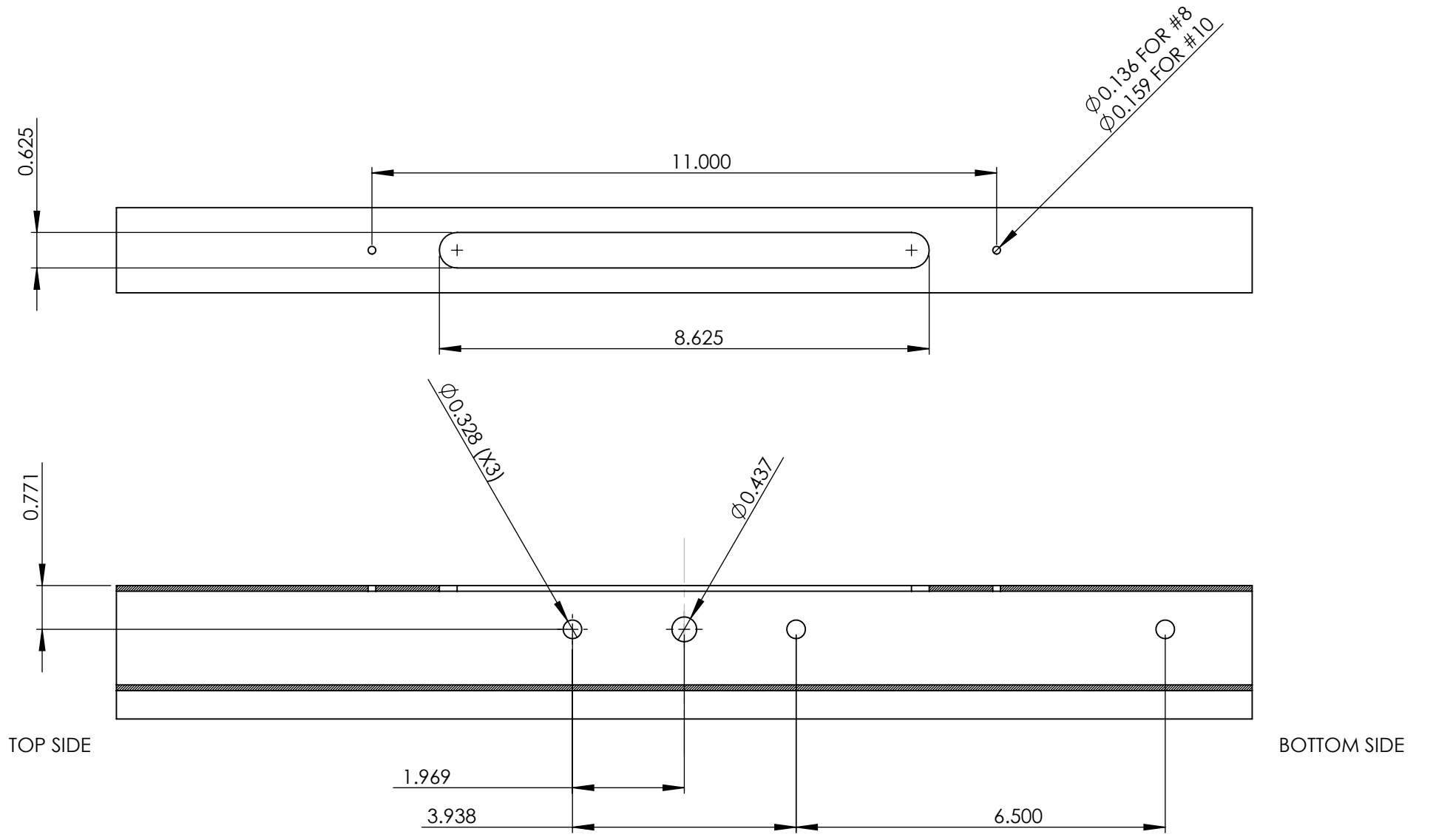
3 HOLE PATTERN



4 HOLE PATTERN

ROTO FASCO CANADA INC.

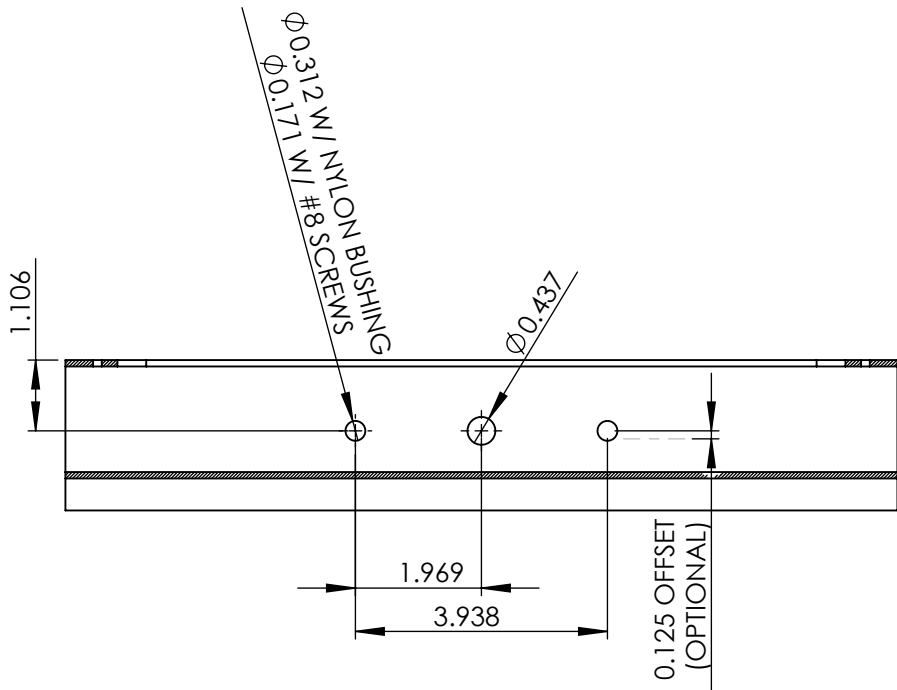
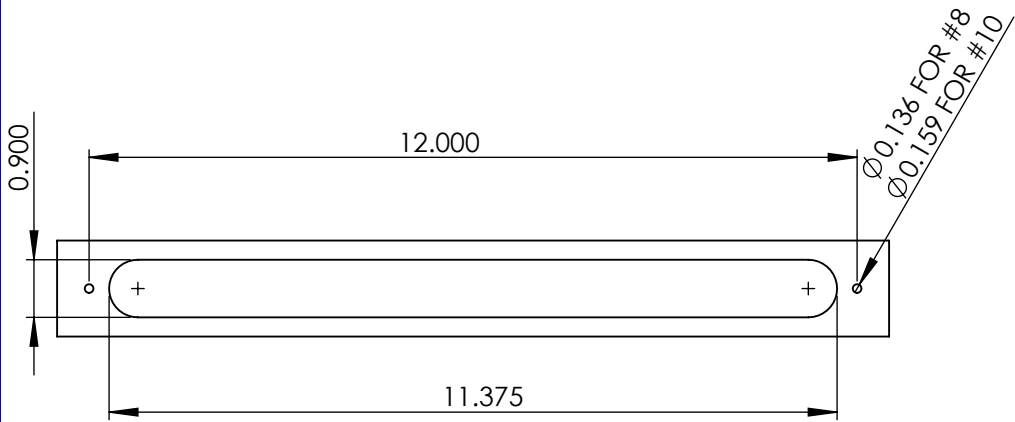
MULTI POINT LATCH ASS'Y  
MACHINING FOR HOLLOW CORE  
DOORS WITH **FLAT TRIMPLATE**  
**M0201XX**



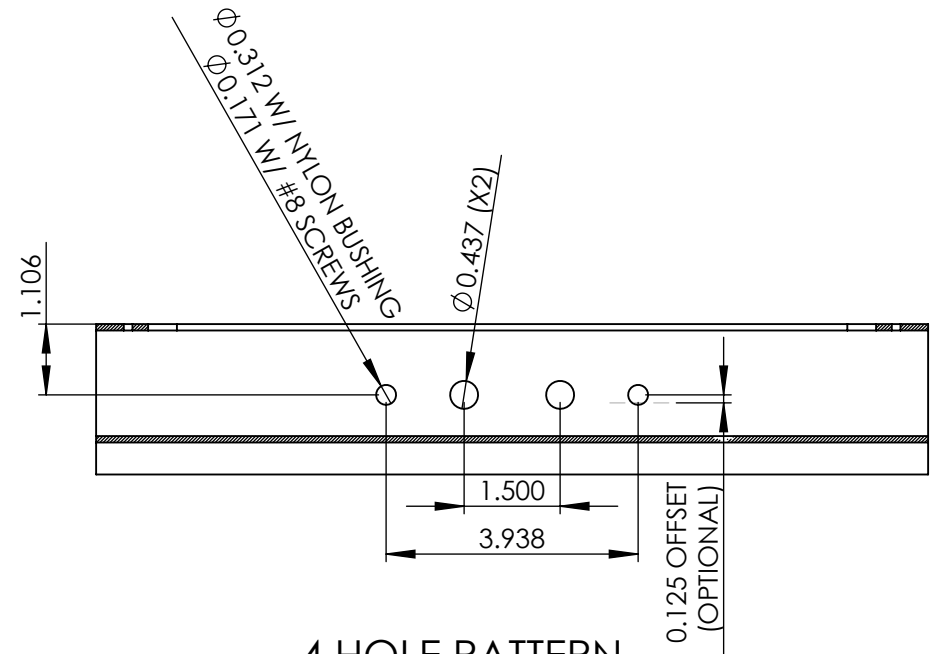
NOTE: EXTERIOR SIDE SHOWN

ROTO FASCO CANADA INC.

MULTI POINT LATCH ASS'Y  
MACHINING FOR HOLLOW CORE  
DOORS WITH **FLAT TRIMPLATE**  
**M0201XX FOR 9100 SERIES HANDLES**



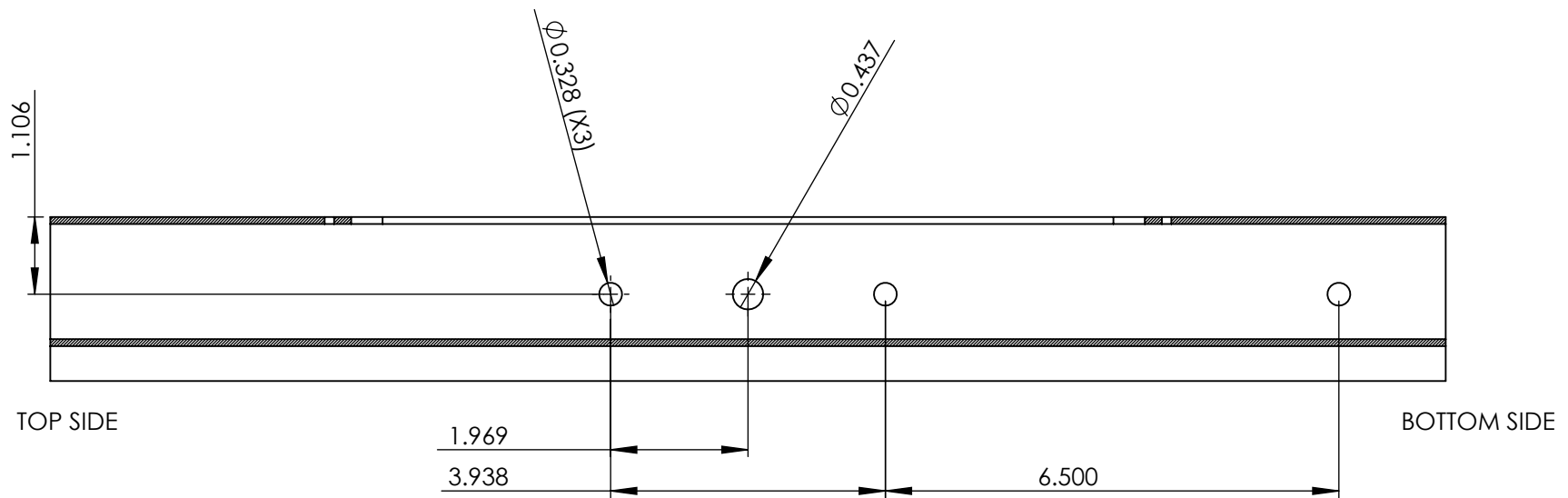
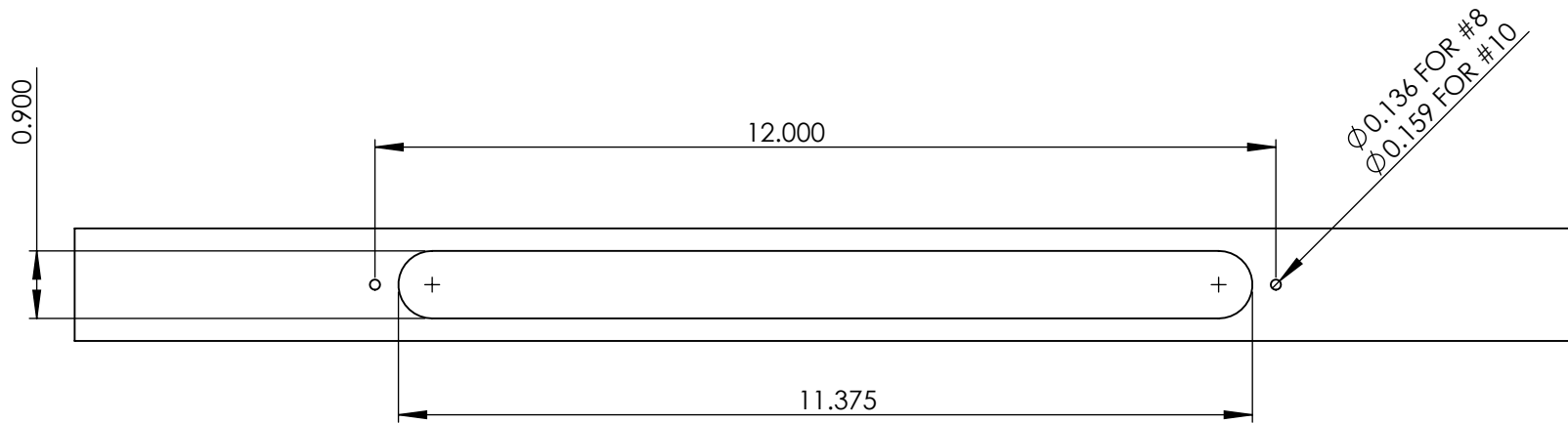
3 HOLE PATTERN



4 HOLE PATTERN

ROTO FASCO CANADA INC.

MULTI POINT LATCH ASS'Y  
 MACHINING FOR HOLLOW CORE  
 DOORS WITH **CUP TRIMPLATE**  
**9080757**



NOTE: EXTERIOR SIDE SHOWN

ROTO FASCO CANADA INC.

MULTI POINT LATCH ASS'Y  
 MACHINING FOR HOLLOW CORE  
 DOORS WITH **CUP TRIMPLATE**  
**9080757 FOR 9100 SERIES HANDLES**