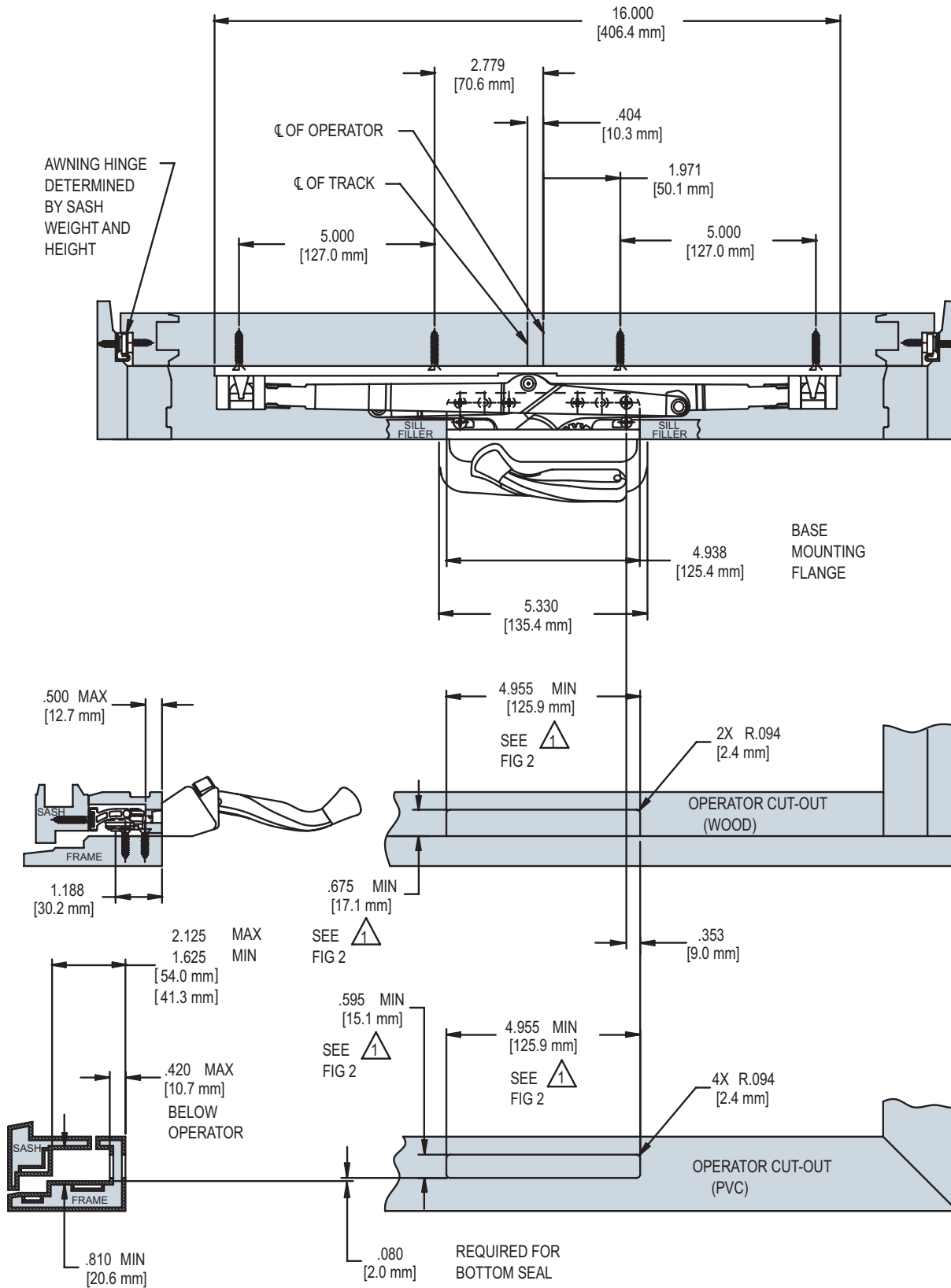
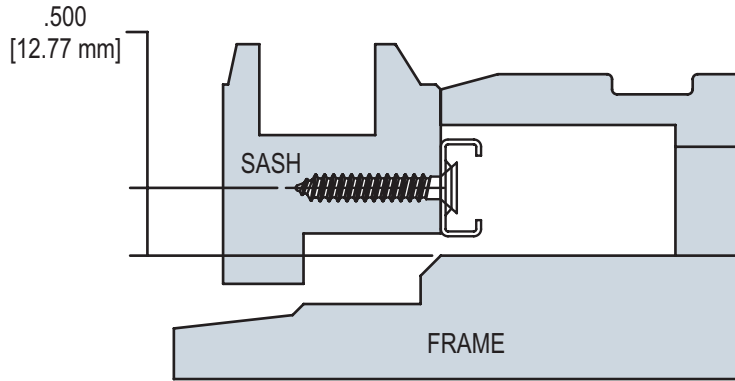


# ENCORE™ AWNING OPERATOR (SILL MOUNT)

FIG. 1 APPLICATION OF ENCORE AWNING OPERATOR (SILL MOUNT VERSION)



**FIG. 2 APPLICATION OF ENCORE AWNING OPERATOR CONTINUED  
(SILL MOUNT VERSION)**



**11577.92  
TRACK PLACEMENT**

HARDWARE SHOWN FOR LEFT HAND WINDOW, SEE FIG. 1	
PART NUMBER	DESCRIPTION
51.10.00.X11	AWNING OPERATOR
11577.XX	TRACK ASSEMBLY
13.XX.XX.XXX	HINGE
12614.XX	TANGO HANDLE/COVER PACK
32658	GASKET (PVC)

NOTE:

1. HOLD THIS DIMENSION AS CLOSE TO THE MINIMUM AS MANUFACTURING TOLERANCES ALLOW. A CLOSE FITTING CUT-OUT HELPS TO STABILIZE THE OPERATOR AGAINST ROCKING

2. GASKET 32658 IS REQUIRED ON PVC AND METAL PROFILES FOR AN IMPROVED AIR AND WATER SEAL

3. ALL AWNING OPERATORS USE 12614.XX LEFT HAND TANGO HANDLE/COVER PACK

# ENCORE™ AWNING OPERATOR (SILL MOUNT)

**FIG. 3 ENCORE AWNING OPERATOR (SILL MOUNT VERSION)**

STAINLESS STEEL VERSION AVAILABLE

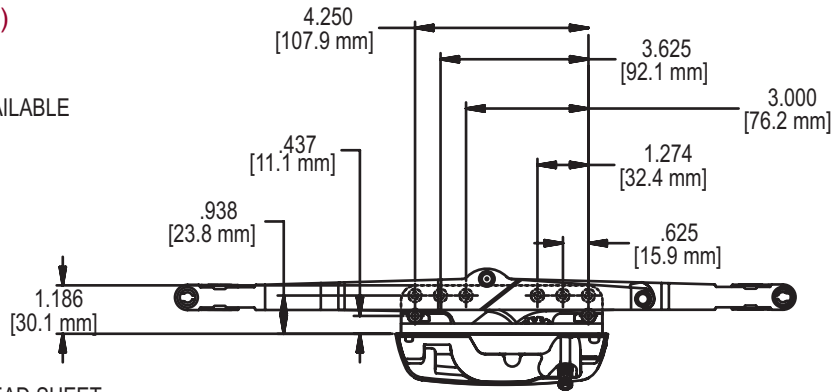
51.10.XX.011 SHOWN

51.12 REAR MOUNT VERSION ALSO AVAILABLE

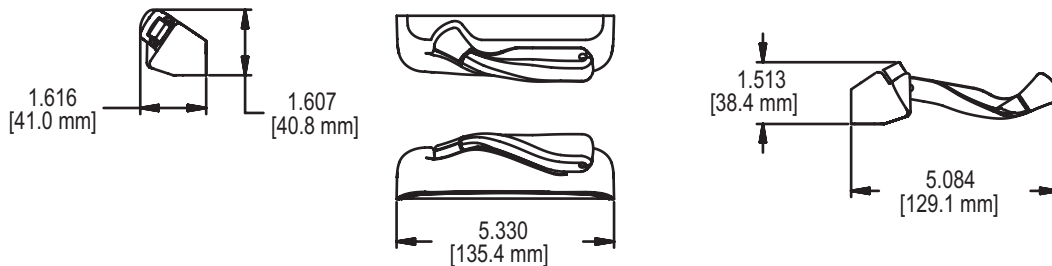
**RECOMMENDED SCREWS:**

(QTY 6)(PN 19240.XX)#8 X 1 FLAT HEAD SHEET METAL SCREW (SEE TRUTH TIPS FOR MORE INFORMATION)

(QTY 2)REAR MOUNT:#8-32 X 3/8 PAN HEAD MACHINE SCREW PN 19545.XX

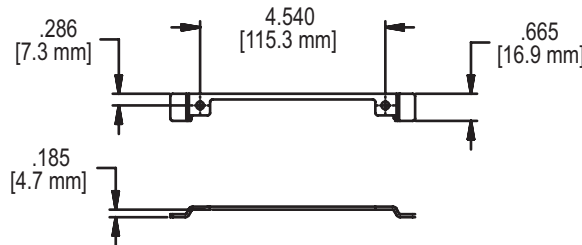


**FIG. 4 ENCORE TANGO HANDLE/COVER 12614.XX(LH) (SHOWN), 12616.XX(RH)**



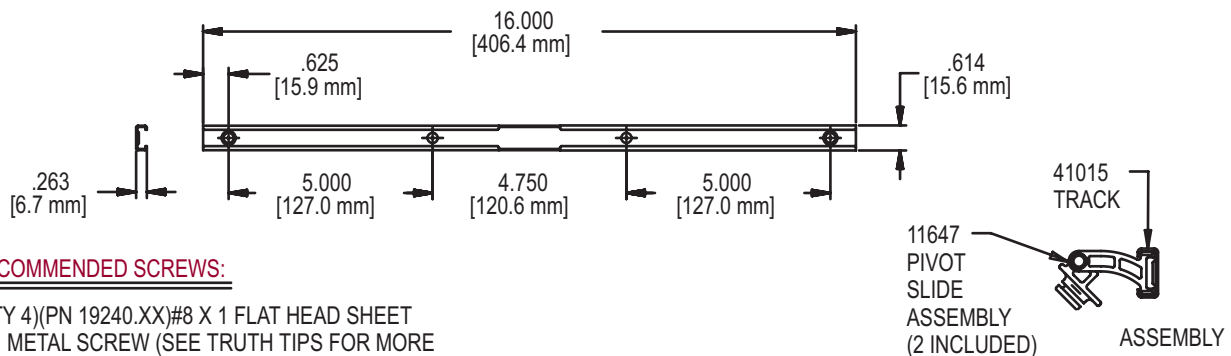
**FIG. 5 BACK PLATE 21969.92**

FOR USE WITH 51.12 REAR MOUNT VERSION ONLY



**FIG. 6 ENCORE AWNING TRACK & SLIDER ASSEMBLY 11577.XX**

STAINLESS STEEL VERSION AVAILABLE



**RECOMMENDED SCREWS:**

(QTY 4)(PN 19240.XX)#8 X 1 FLAT HEAD SHEET METAL SCREW (SEE TRUTH TIPS FOR MORE INFORMATION)