



# MRT DOLLY

STOCK: 98790

Designed for use with a Wood's Powr-Grip® model MRT4 or MRTA8 lifter, this option provides an easy way to move the lifter around a job site.



## Lifter and Extension Arm Mounts

Hold equipment in place securely with cotterless hitch pins

## Compact Design

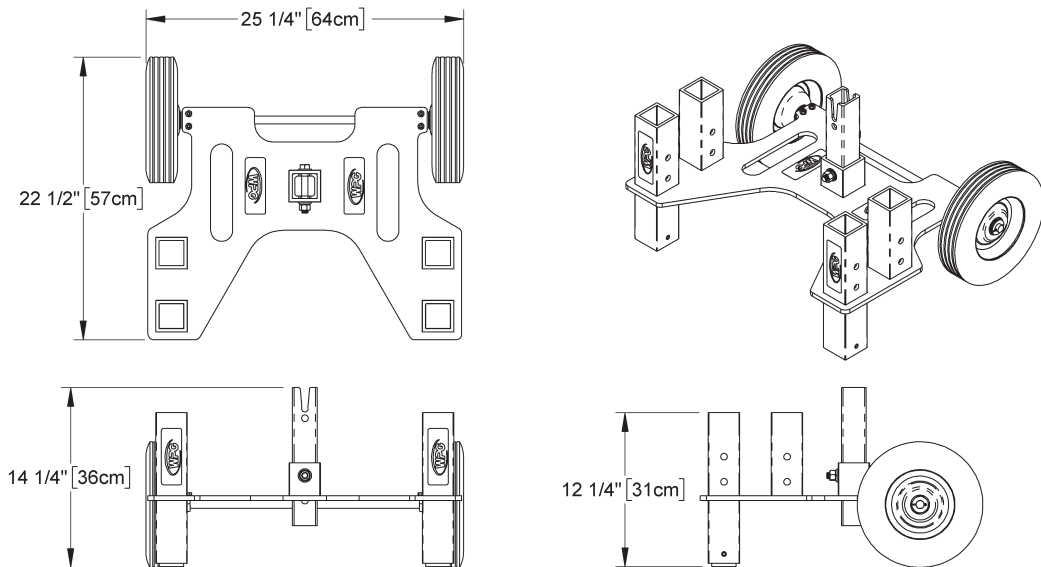
Allows storage of a lifter in tight spaces

## Solid-Core Tires

Hold up to the rigors of regular use and require minimal maintenance—won't go flat!

## Built-In Handles

Make it easier to lift into or out of a vehicle when not in use—the fixed axel can be used as a handle, too



Weight: 34 lbs [15 kg] | Tire diameter: 10" OD



Based on product information at time of publication.  
Environmental conditions can affect product performance and longevity; consult the product instructions on [WPG.com](http://WPG.com) or contact a Technical Sales Representative for more information.